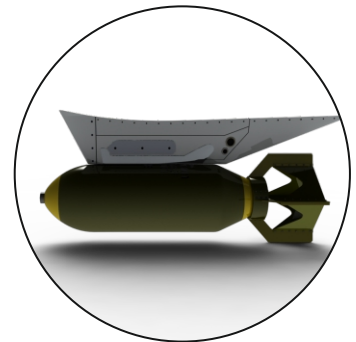
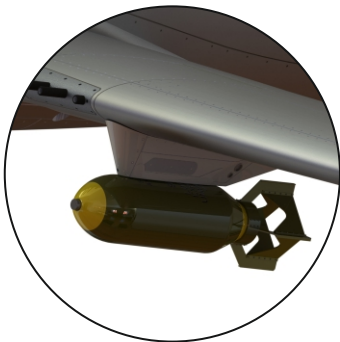
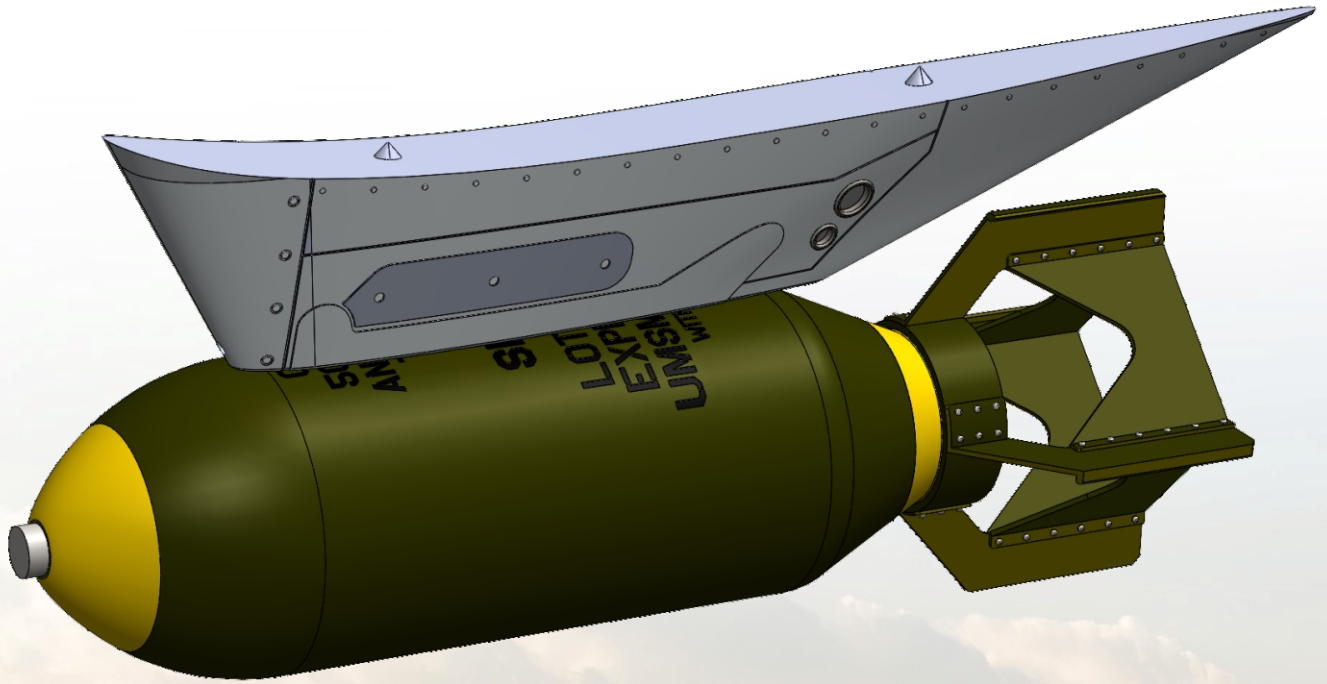


USER GUIDE

Created for 3D printer



500lb Bomb
Expanded For P-47 Thunderbolt



ASSEMBLY INSTRUCTION

RC Model printed on 3D printer



Visit our website, www.bastlero.com, to purchase a product you are interested in. Once you've made your purchase, you will receive access to download the file in



Download the files onto an SD card. We have optimized the universal G-code output to work with a wide selection of printers and have tested our products on several printer brands and configurations. If you own a Prusa 3D printer, please use the Prusa G-code files for printing.



Print all of the model parts on your 3D printer. The minimum supported size of the printed surface should be 22x22x20 cm or 20x25x20 cm.



Assemble the model according to the attached PDF manual. For bonding the model parts, we recommend using Super Glue (medium thickness) and Activator.

PRODUCT CONTAINS

- STL files of RC model 500lb Bomb 1/8 scale for.
- Universal G-code of 500lb Model Bomb in 1/8 scale optimized for 3D printers
- PrusaSlicer .3mf files of 500lb model Bomb in 1/8 scale
- Assembly instructions in PDF format
- Scale markings in PDF format

MODEL SPECIFICATION



scale
1:8



made of
7 pcs



printed weight
2,47oz / 70g



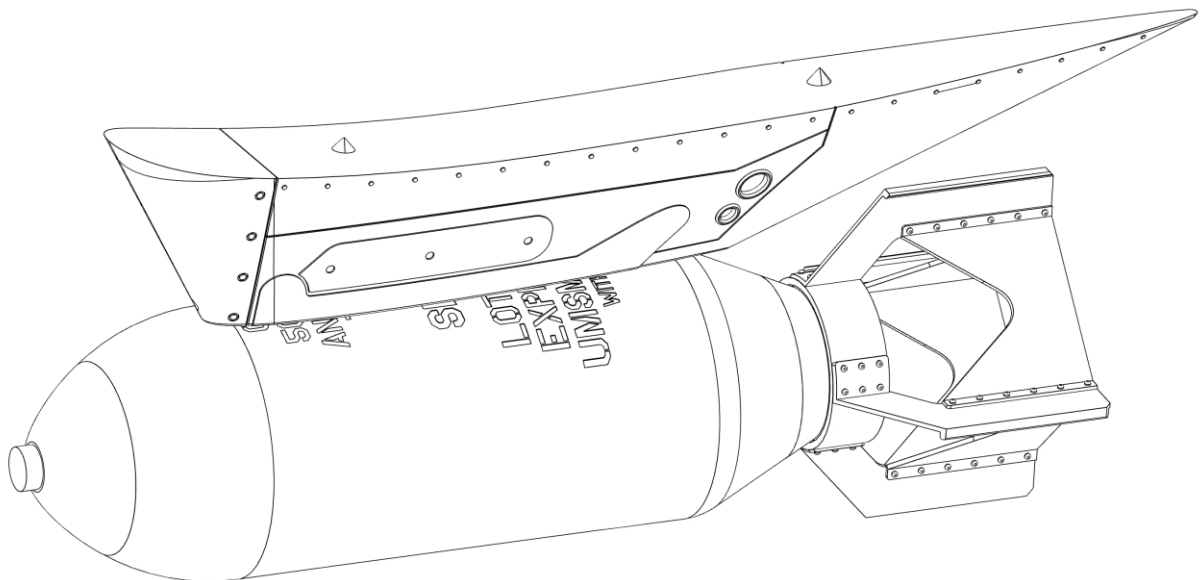
takeoff weight
1,23 oz / 35g

WATEVER YOU NEED

1. PLA or LPLA filament for print model parts
2. Super glue and Activator
3. RC Model P-47 Thunderbolt 1/8 Scale

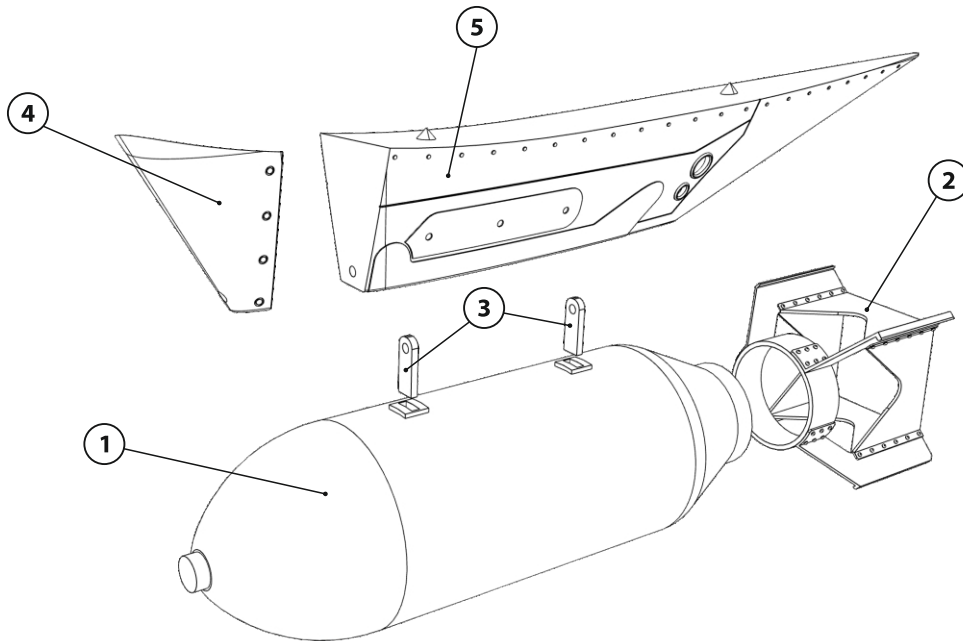
PRINTED PARTS LIST

No.	Parts name	Layer H.	Weight	Infil	P. Time	Multi	Perime	Main Location
1	Body	0,2mm	20g	2%	2h30m	1	1	Bomb_P_47_01_-07
2	Wing	0,2mm	2g	2%	46m	1	1	Bomb_P_47_01_-07
3	Bomb Handle	0,2mm	0,3g	5%	2m	1	1	Bomb_P_47_01_-07
4	Bomb Rack Left A	0,2mm	2g	0%	35m	1	1	Bomb_P_47_01_-07
5	Bomb Rack Left B	0,2mm	11g	0%	3h	1	1	Bomb_P_47_01_-07
6	Bomb Rack Right A	0,2mm	2g	0%	35m	1	1	Bomb_P_47_01_-07
7	Bomb Rack Right B	0,2mm	11g	0%	3h	1	1	Bomb_P_47_01_-07

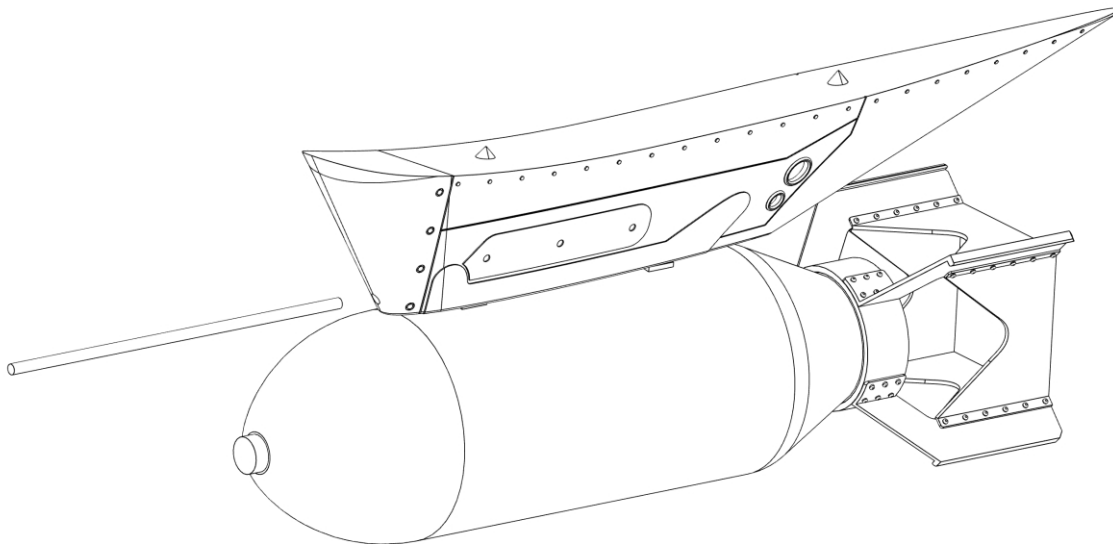


ASSEMBLY

Bomb Assembly



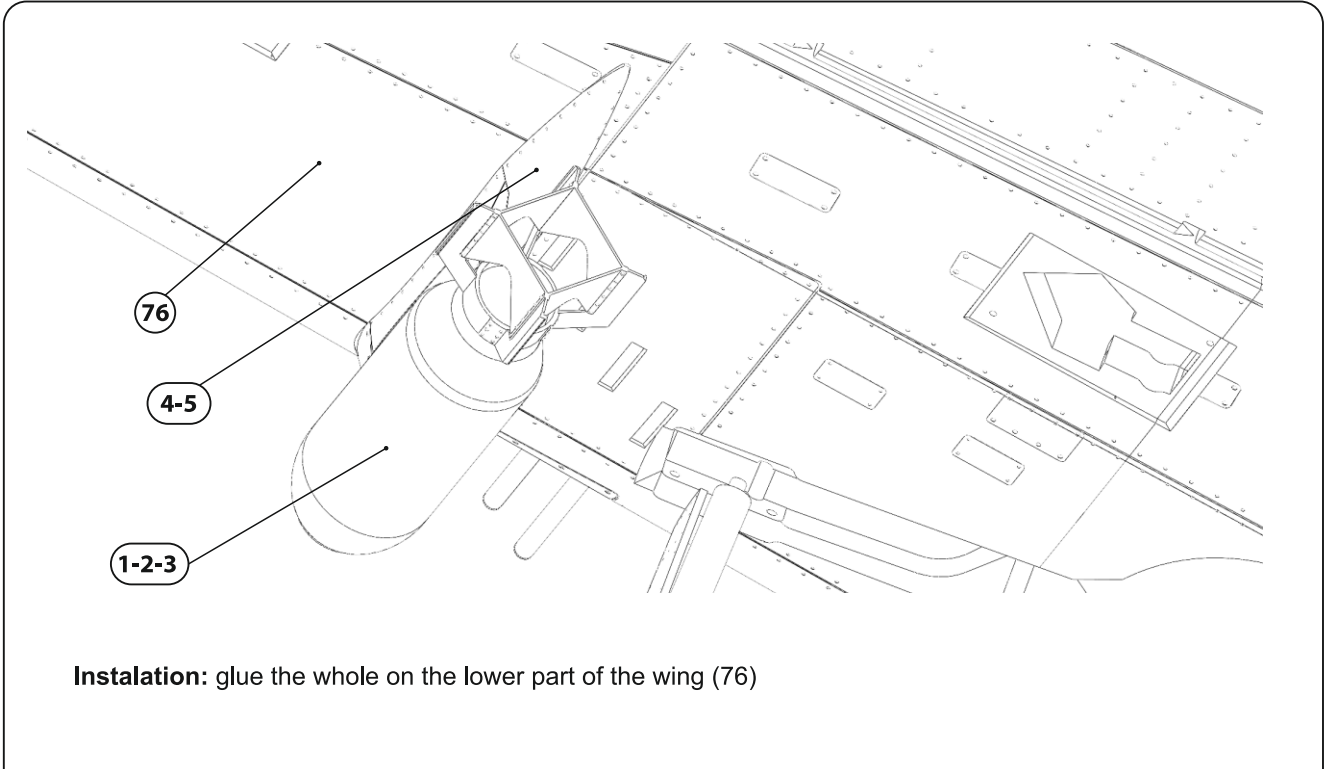
Assembly instructions: Begin by gluing together the parts of the bomb (1-2-3), then continue by gluing the beams of the bombs (4-5).



Assembly instructions: If you want to be able to remove the bomb, fix it with 0.7mm wire. If not, use glue. Note that you should repeat the entire process for the right side of the wing using parts (6-7).

ASSEMBLY

Bomb Instalation



Instalation: glue the whole on the lower part of the wing (76)

Scale markings: You can enhance the accuracy of the scale by using decals.



**GP
500LB
AN-M64A1**

SIHTA

**LOT 12821
EXPLOSIVE
U.S. BOMB
WITH PADS**

**PA 12-43
FROM PICA TINNY
ARSENAL**

**TO TRANSPORTATION
OFFICER
CAL-AERO FIELD CA.
FOR ORDNANCE
SHIPPING TICKET
NO. 5243
517 LBS
10.4 CU. FT
COMP B
NO. 0020**