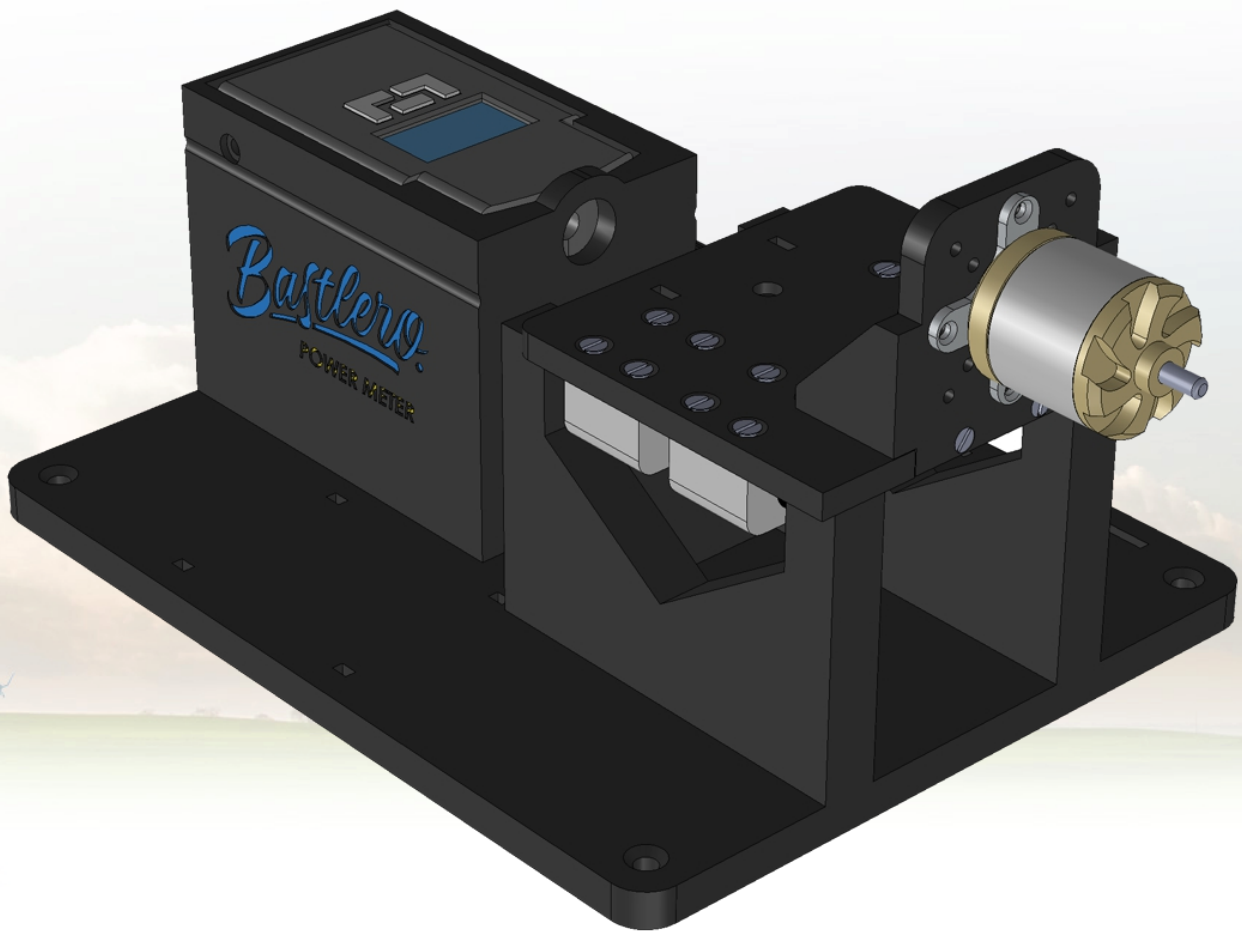




USER GUIDE

Created for 3D printer



Thrust Stand and Power Analyser

Bastlero Powermeter

ASSEMBLY INSTRUCTION

RC Model printed on 3D printer



Visit our website, www.bastlero.com, to purchase a product you are interested in. Once you've made your purchase, you will receive access to download the file in



Download the files onto an SD card. We have optimized the universal G-code output to work with a wide selection of printers and have tested our products on several printer brands and configurations. If you own a Prusa 3D printer, please use the Prusa G-code files for printing.



Print all of the model parts on your 3D printer. The minimum supported size of the printed surface should be 22x22x20 cm or 20x25x20 cm.



Assemble the model according to the attached PDF manual. For bonding the model parts, we recommend using Super Glue (medium thickness) and Activator.

PRODUCT CONTAINS

- STL files of an Thrust Stand and Power Analyser for a Prusa 3D printer.
- G-Code for an Thrust Stand and Power Analyser optimized for 3D printing.
- Assembly instructions in PDF format



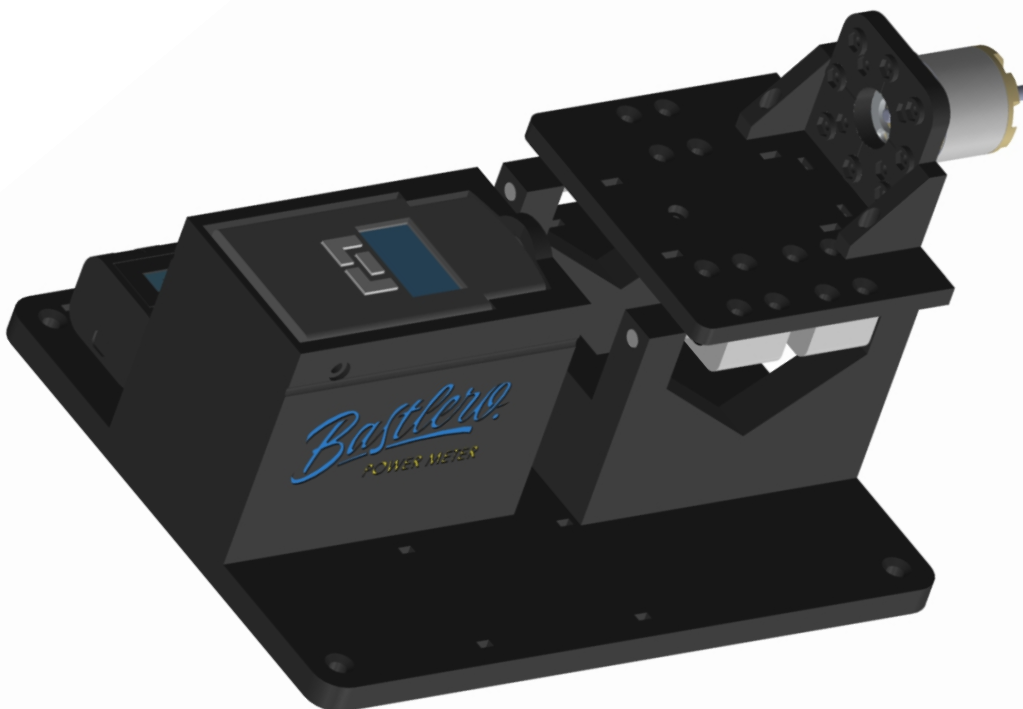
WATEVER YOU NEED

1. 2X Countersunk Head Screw Bolt M3 length 16 mm
2. 2X Screw M3 length 14 mm & 1x Screw M3 length 30 mm
3. 12X Countersunk Head Screw Bolt M4 length 10 mm
4. 2X Screw M4 length 10 mm
5. 4X Nut M3
6. Cylinder Liner Rail for 3D Printer Axis
7. Digital hanging scale
8. Turnigy 130A Watt Meter and Power Analyzer
9. Linear Ball Bearing Block 6mm
10. PLA or ABS filament for print model parts
11. 3D Printer

[Link](#)[Link](#)[Link](#)[Link](#)[Link](#)[Link](#)[Link](#)[Link](#)[Link](#)

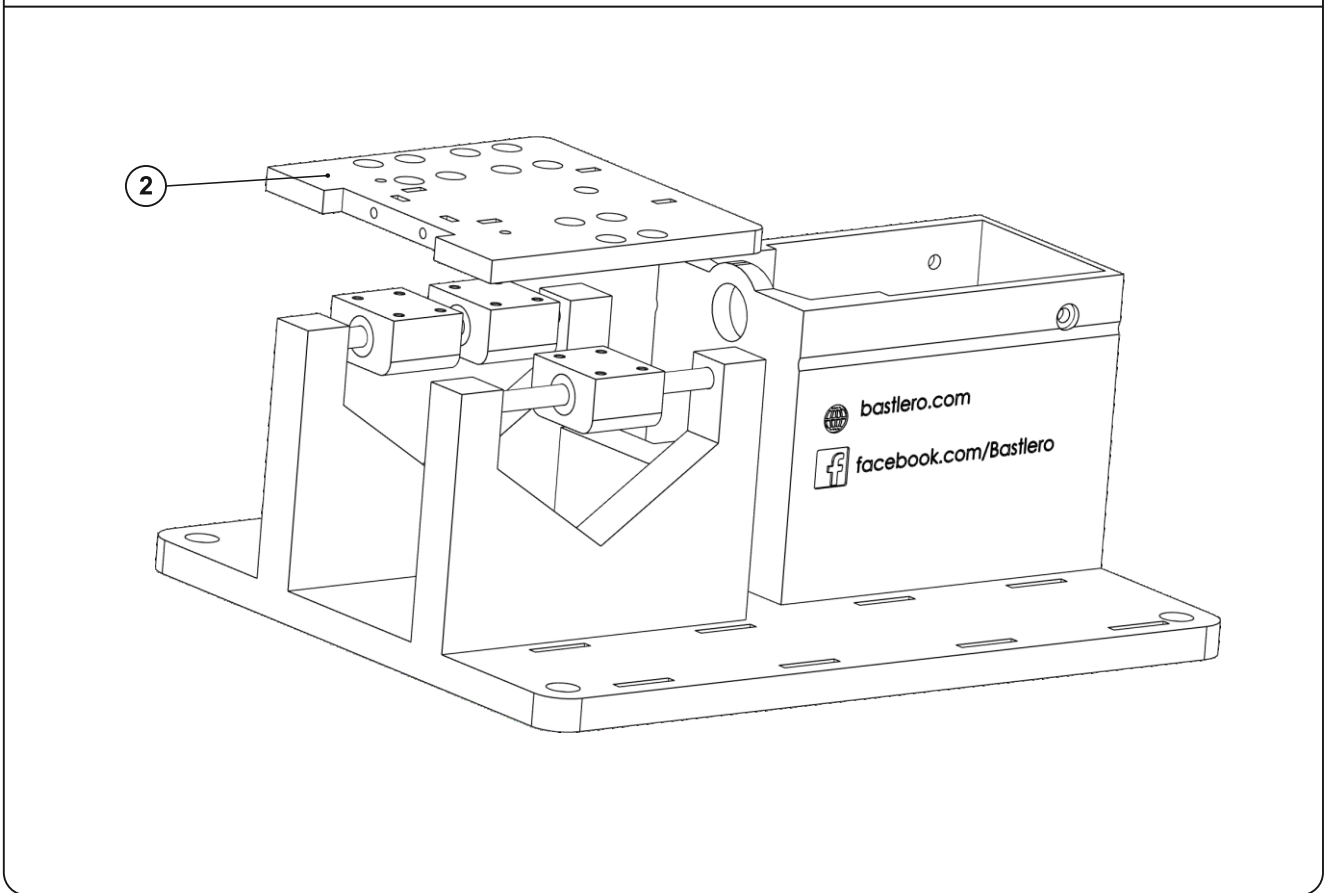
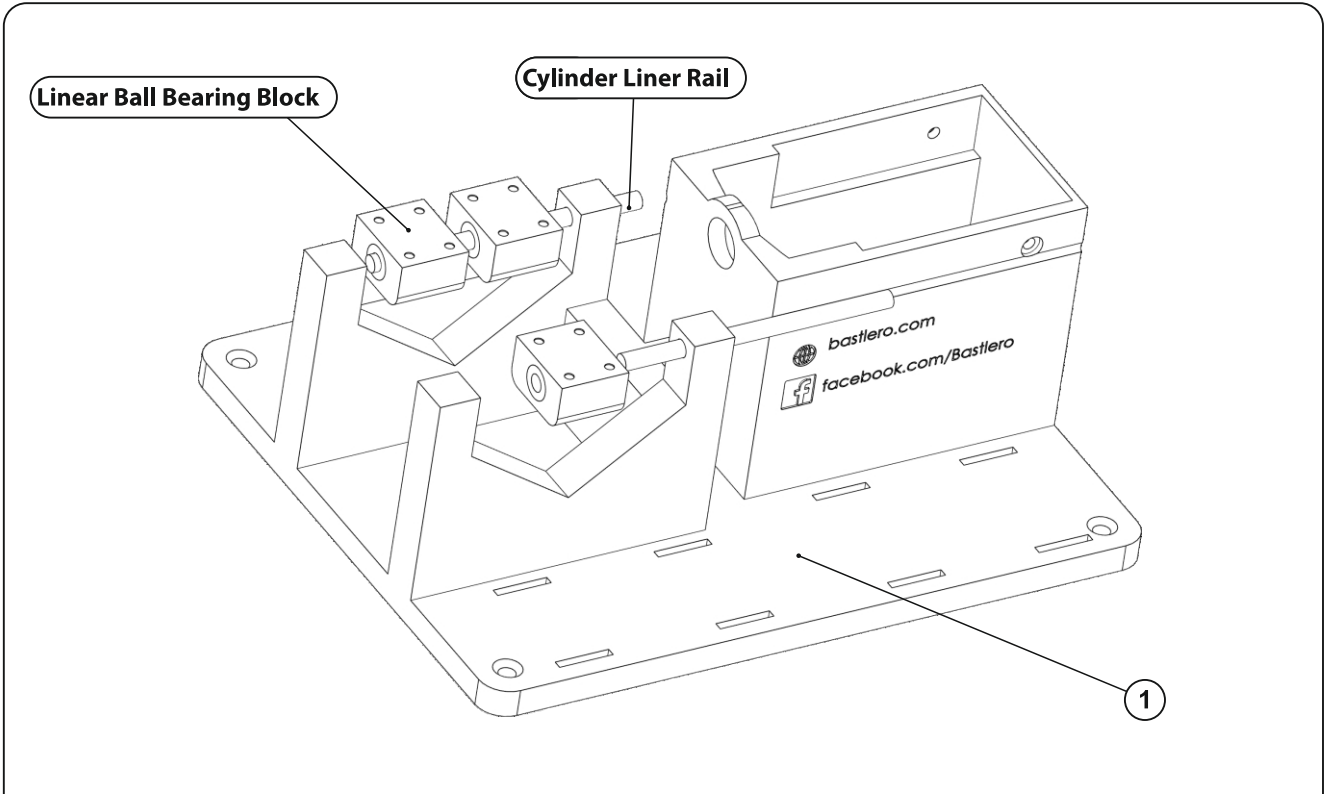
PRINTED PARTS LIST

No.	Parts name
1	Body
2	Carriage
3	Electromotor Holder_A
4	Electromotor Holder_B
5	Nut



Powermeter

Powermeter Assembly



Powermeter

Powermeter Assembly

